

VeriSense™
5024 EGR Series
Temperature Sensors

AIRPAX



Description :

The VeriSense™ 5024 EGR temperature sensors provide up to 300 C temperature sensing capability in patent-pending, fast response stainless steel packages. Developed for the exhaust gas recirculation market, the new VeriSense™ 5024 EGR temperature sensors provide accurate high temperature output in the fastest responding immersion package on the market today.

Please contact Airpax for assistance in applying the VeriSense™ 5024 EGR temperature sensors to meet your high temperature sensing needs.

Specifications :

Max Operating Temperature :

-55°C to 300°C

Temperature Tolerance :

150°C max version: 25°C ± 0.4°C, 150°C ± 0.6°C

300C max version: 25°C ± 0.8°C, 300°C ± 3.7°C

Body Material :

304 Stainless Steel

Sensor Type :

150°C max version: 3,000 ohm @ 25C, NTC

300C max version: 49,120 ohm @ 25C, NTC

Mating Connector :

150°C max version: Packard Electric 12162193

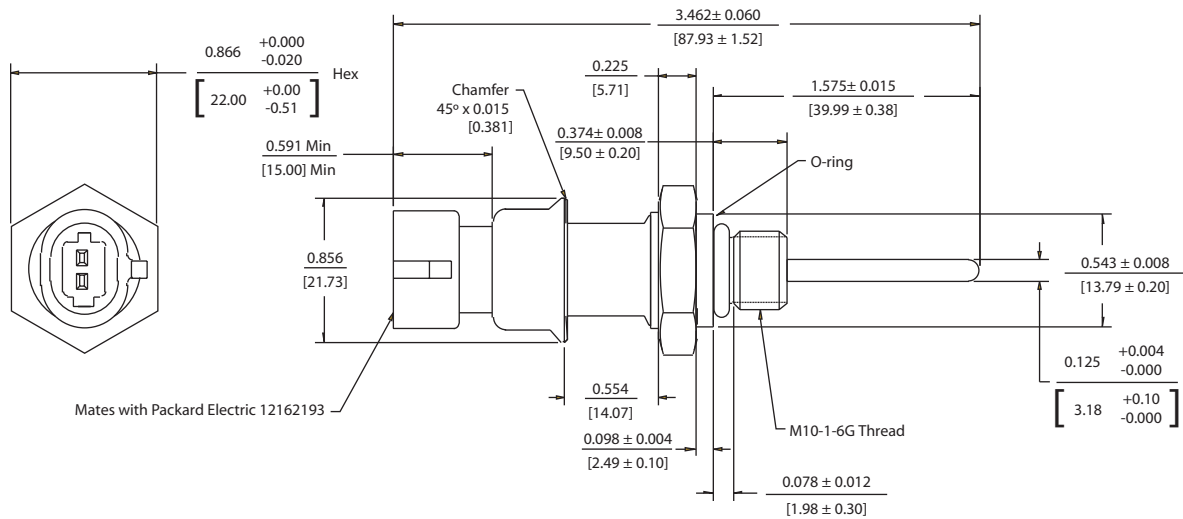
300°C max version: Packard Electric 12162197

Airpax Corporation
550 Highland Street
Frederick, MD 21701 USA
301.663.5141 (T)
301.698.0624 (F)
infotsp@airpax.net

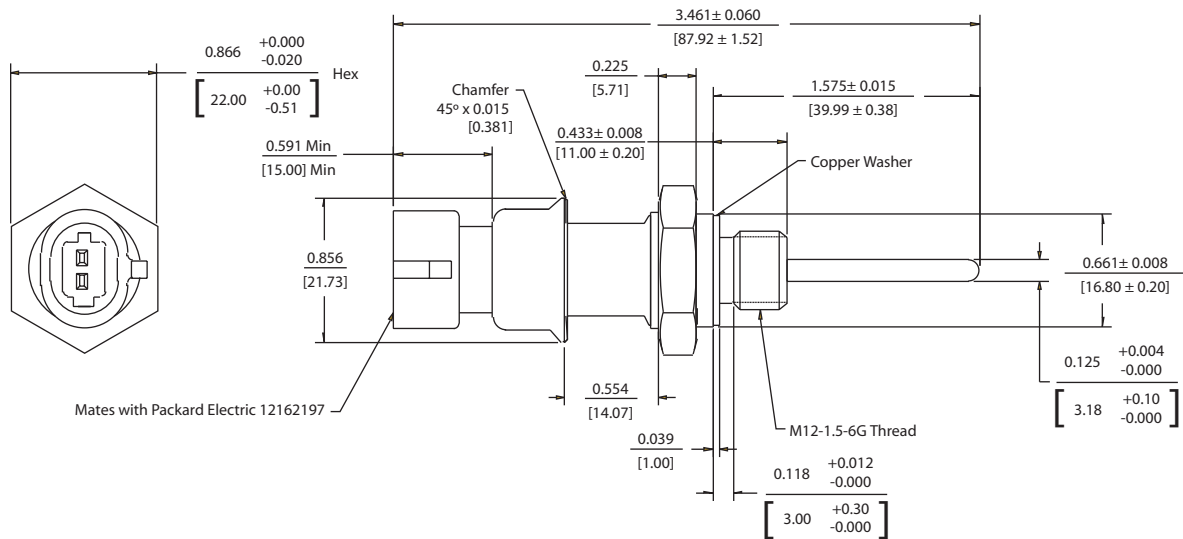
AIRPAX
www.airpax.net

5024 EGR SERIES

VeriSense™ 5024 EGR: 150°C Max Version:



VeriSense™ 5024 EGR: 300°C Max Version:



The products shown are a representative example of our offerings. Consult factory for specific applications.

Options Available:

- Lead wire versus integral connector (for higher vibration applications)
- Thread type
- Maximum operating temperature